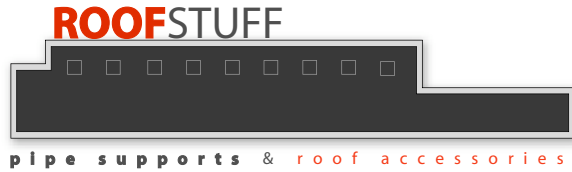


Product Data Sheet



PRODUCT NAME: SS-E-C

DESCRIPTION: An H-frame style support designed to lift and stabilize electrical conduits off of the roof membrane. Conduits are fastened to the frame by adjustable strut clamps.

COMPOSITION AND MATERIALS:

Bases: 16 gauge stainless steel

Nuts and Bolts: Stainless steel

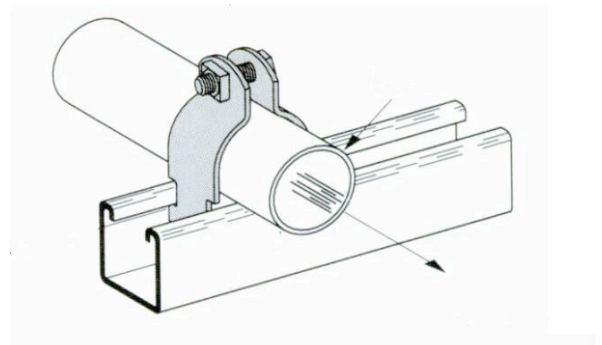
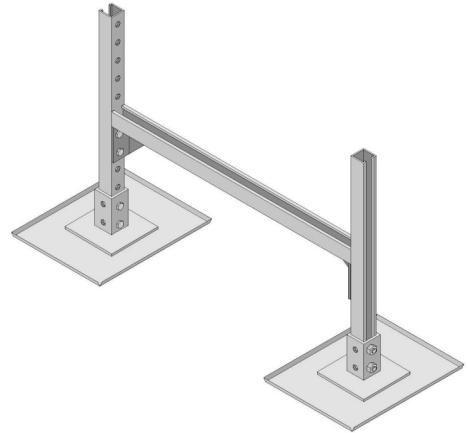
Unistrut: Galvanized

All other hardware: Galvanized

SIZE: Every duct support is built to the size specifications of the customer.

LOAD: Weight not to exceed 150 lbs per base. A third base will be added to the support when width exceeds 36" or when the weight exceeds 150 lbs per base. As many bases as necessary can be added to the support.

SPACING: No more than 10 ft between each support. Closer spacing may be necessary to prevent loads greater than 150 lbs per base.



RoofStuff, Inc.
3626 N Hall St. Suite 703
Dallas, TX 75219
(214) 224-0055
(214) 224-0988 (fax)
www.roofstuffinc.com