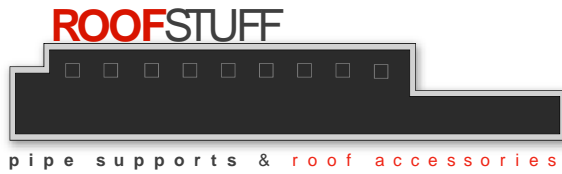


Product Data Sheet



PRODUCT NAME: SS-C-2 and SS-C-4

DESCRIPTION: Vertically adjustable pipe support designed to raise mechanical piping (electrical conduit, condensate lines, etc.) up off of the roof membrane to prevent damage that can occur from other types of insufficient supports.

COMPOSITION AND MATERIALS:

Base: 18 gauge stainless steel

All thread: 5/16" stainless steel

Pipe Clamp: malleable iron with a Durra-Copper® finish

SIZE: Supports pipes with O.D. up to 1.5".
Bigger or smaller clamps available upon request.

HEIGHT RANGE:

SS-C-2: adjustable from 2" - 4"

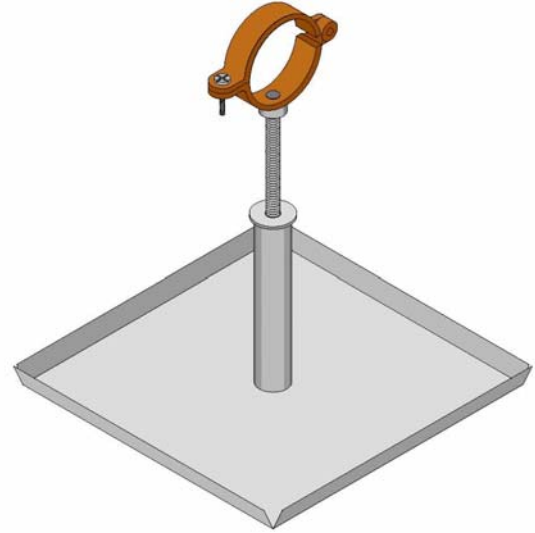
SS-C-4: adjustable from 4" – 8"

****height extensions available****

LOAD: Weight per stand should not exceed 35lbs.

SPACING: No more than 10 ft between each stand. Closer spacing may be necessary to prevent loads greater than 35lbs per support.

INSTALLATION: (1) Place the pipe support directly below the path of the pipe so that the axial direction of the clamp is parallel and directly below the axis of the pipe.



(2) With the clamp open and attached to the base, spin the all thread up to the desired height.
(3) Rest the pipe in the bottom portion of the clamp and close the hinged clamp over the pipe, securing it with the provided copper screw.

** It is recommended that each pipe support be placed on a protective pad approved by the roofing membrane manufacturer**

MAINTENANCE: A bi-annual inspection of position, alignment, and weight distribution is required to prevent pipe stand damage or failure.

RoofStuff, Inc.
3626 N Hall St. Suite 703
Dallas, TX 75219
(214) 224-0055
(214) 224-0988 (fax)
www.roofstuffinc.com

Limited Warranty: All products sold are subject to the following limited warranty. RoofStuff, Inc. warrants for a period of one year from date of delivery the product is free from defects in material and workmanship. RoofStuff, Inc. makes no other express representation or warranty of any kind, in fact or in law, including without limitation, the warranty of merchantability or the warranty of fitness for a particular purpose, other than the limited warranty set forth above. Every claim under this warranty shall be deemed waived unless made in writing and received by RoofStuff, Inc. within thirty (30) days of the date the defect to which each claim relates is discovered or should have been discovered.

Limitations of Liability: It is expressly understood and agreed that the limit of RoofStuff, Inc.'s liability shall be to re-supply an equal or equivalent quantity and that RoofStuff, Inc. shall have no such liability except where the damage or claim results solely from breach of RoofStuff, Inc.'s warranty. RoofStuff, Inc. shall not be liable for any incidental, consequential, or other damages, for any alleged negligence, breach of warranty, strict liability or any other theory, other than the limited liability set forth above.

RoofStuff, Inc.'s warranties will not apply if a pipe, conduit, or other object, is resting upon a support with a force exceeding 35 pounds. Likewise, RoofStuff, Inc.'s warranties will not apply if the supported structure is not the type of device or object for which RoofStuff, Inc. pipe supports are designed, intended or constructed to support. RoofStuff, Inc.'s warranties will not apply if installation is done in an improper manner.

RoofStuff, Inc.

3626 North Hall Street
Suite 703
Dallas, Texas 75219
214-224-0055
info@roofstuffinc.com

SS-C-4

