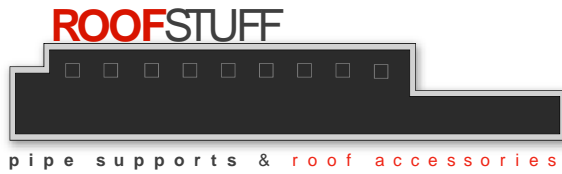


Product Data Sheet



PRODUCT NAME: SS-D-C (Duct Support)

DESCRIPTION: An H-frame style support designed to lift and stabilize a duct up off of the roof surface. The crossbar carries the weight of the duct while the sides stabilize the duct and prevent any lateral motion.

COMPOSITION AND MATERIALS:

Bases: 16 gauge Stainless steel

Nuts and Bolts: Stainless steel

Unistrut: Galvanized

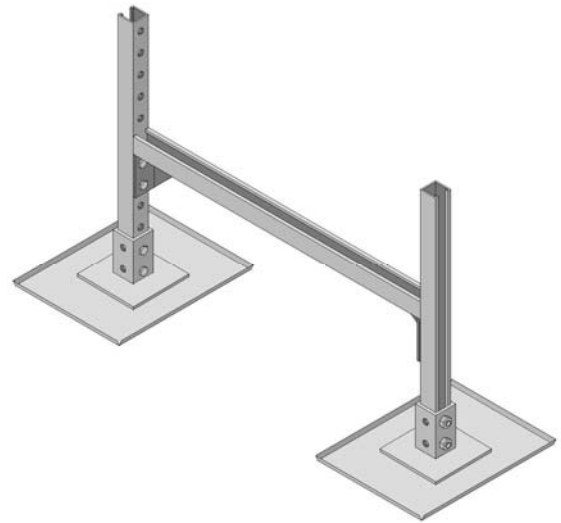
All other hardware: Galvanized

SIZE: Every duct support is built to the size specifications of the customer.

LOAD: Total weight not to exceed 300 lbs or 150 lbs per base.

SPACING: No more than 10 ft between each support. Closer spacing may be necessary to prevent loads greater than 300 lbs per support.

INSTALLATION: (1) Center the support beneath the duct so that the duct is centered over the frame. Make sure the two vertical components of the frame are aligned properly so that they are able to contain the duct within the support.



(2) Adjust the crossbar to the desired height

(3) Set the duct on the horizontal bar without dropping or causing unnecessary force. It is critical that all supports are adjusted to a height at which the load of the duct is equally distributed onto each support.

MAINTENANCE: A bi-annual inspection of position, alignment, and weight distribution is required to prevent damage or failure.

RoofStuff, Inc.
3626 N Hall St. Suite 703
Dallas, TX 75219
(214) 224-0055
(214) 224-0988 (fax)
www.roofstuffinc.com

Limited Warranty: All products sold are subject to the following limited warranty. RoofStuff, Inc. warrants for a period of one year from date of delivery the product is free from defects in material and workmanship. RoofStuff, Inc. makes no other express representation or warranty of any kind, in fact or in law, including without limitation, the warranty of merchantability or the warranty of fitness for a particular purpose, other than the limited warranty set forth above. Every claim under this warranty shall be deemed waived unless made in writing and received by RoofStuff, Inc. within thirty (30) days of the date the defect to which each claim relates is discovered or should have been discovered.

Limitations of Liability: It is expressly understood and agreed that the limit of RoofStuff, Inc.'s liability shall be to re-supply an equal or equivalent quantity and that RoofStuff, Inc. shall have no such liability except where the damage or claim results solely from breach of RoofStuff, Inc.'s warranty. RoofStuff, Inc. shall not be liable for any incidental, consequential, or other damages, for any alleged negligence, breach of warranty, strict liability or any other theory, other than the limited liability set forth above.

RoofStuff, Inc.'s warranties will not apply if a pipe, conduit, or other object, is resting upon a support with a force exceeding 300 pounds. Likewise, RoofStuff, Inc.'s warranties will not apply if the supported structure is not the type of device or object for which RoofStuff, Inc. pipe supports are designed, intended or constructed to support. RoofStuff, Inc.'s warranties will not apply if installation is done in an improper manner.

RoofStuff, Inc.

3626 North Hall Street
Suite 703
Dallas, Texas 75219
214-224-0055
info@roofstuffinc.com

SS-D-C

