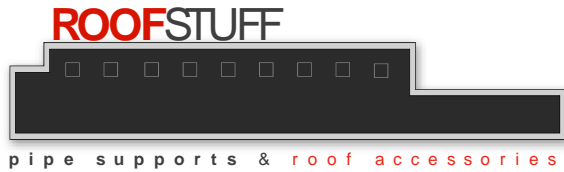


Product Data Sheet



PRODUCT NAME: SS-R-5

DESCRIPTION: Adjustable rolling pipe support designed to raise mechanical piping (electrical conduit, gas piping, etc.) up off of the roof membrane to prevent damage that can occur from other types of insufficient supports. The SS-R-5 compensates for linear pipe motion due to expansion, contraction, and vibration through the heavy duty SBR rubber roller. The support is vertically adjustable so that each unit can be adjusted for optimal performance.

COMPOSITION AND MATERIALS:

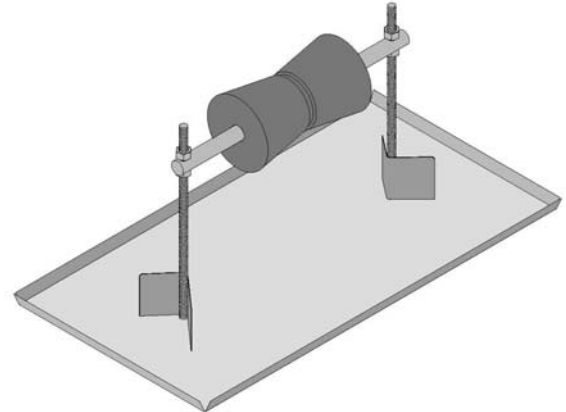
Base: 16 gauge stainless steel
All thread: 3/8" x 8" stainless steel
Crossbar: 5/8" stainless steel rod
Roller: Industrial SBR rubber with UV inhibitors

PIPE SIZE: Supports pipes ranging in diameter from 1/2" to 5"

HEIGHT RANGE: Support is adjustable from heights 3" - 9"

LOAD: Weight per stand should not exceed 150 lbs.

SPACING: No more than 10 ft between each stand. Closer spacing may be necessary to prevent loads greater than 150lbs per support. Adjusting each support so that all bear an equal amount of the load will ensure optimal performance.



INSTALLATION: (1) Place the pipe support directly below the path of the pipe so that the axial direction of the roller is perpendicular to the axial direction of the piping.
(2) Adjust the pipe support to the desired height making sure that all other pipe supports are also at this height. Adjust the pipe support so that the roller is exactly horizontal.
(3) Gently lower the pipe down onto the center of the roller.

** It is recommended that each pipe support be placed on a protective pad approved by the roofing membrane manufacturer **

MAINTENANCE: A bi-annual inspection of position, alignment, and weight distribution is required to prevent pipe stand damage or failure.

RoofStuff, Inc.
3626 N Hall St. Suite 703
Dallas, TX 75219
(214) 224-0055
(214) 224-0988 (fax)
www.roofstuffinc.com

Limited Warranty: All products sold are subject to the following limited warranty. RoofStuff, Inc. warrants for a period of one year from date of delivery the product is free from defects in material and workmanship. RoofStuff, Inc. makes no other express representation or warranty of any kind, in fact or in law, including without limitation, the warranty of merchantability or the warranty of fitness for a particular purpose, other than the limited warranty set forth above. Every claim under this warranty shall be deemed waived unless made in writing and received by RoofStuff, Inc. within thirty (30) days of the date the defect to which each claim relates is discovered or should have been discovered.

Limitations of Liability: It is expressly understood and agreed that the limit of RoofStuff, Inc.'s liability shall be to re-supply an equal or equivalent quantity and that RoofStuff, Inc. shall have no such liability except where the damage or claim results solely from breach of RoofStuff, Inc.'s warranty. RoofStuff, Inc. shall not be liable for any incidental, consequential, or other damages, for any alleged negligence, breach of warranty, strict liability or any other theory, other than the limited liability set forth above.

RoofStuff, Inc.'s warranties will not apply if a pipe, conduit, or other object, is resting upon a roller with a force exceeding 150 pounds. Likewise, RoofStuff, Inc.'s warranties will not apply if the supported structure is not the type of device or object for which RoofStuff, Inc. pipe supports are designed, intended or constructed to support. RoofStuff, Inc.'s warranties will not apply if installation is done in an improper manner.

RoofStuff, Inc.

3626 North Hall Street

Suite 703

Dallas, Texas 75219

214-224-0055

info@roofstuffinc.com

SS-R-5

